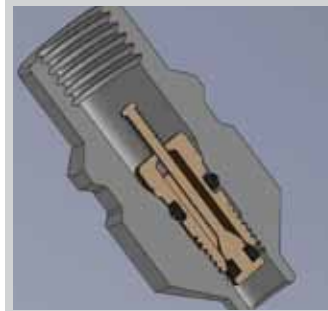
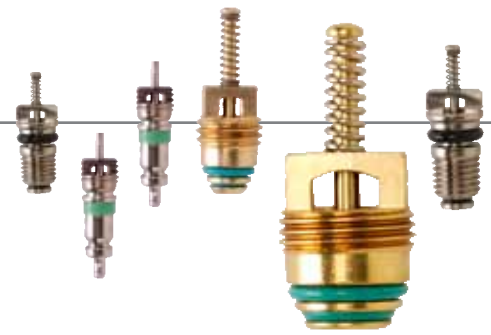


# Charge and Service Valves

## For HFO-1234-YF

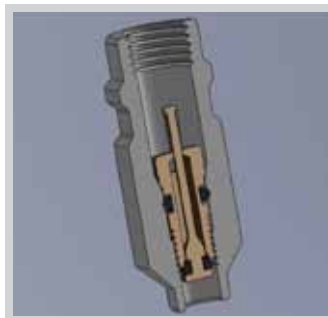
- Meets SAEJ639 specifications
- Available for High-side and Low-side
- Elastomers are compatible with most oils (PAG, POE, PVE)
- Engineered for minimum permeation loss
- High-side valves engineered for maximum flow and fill rates
- Validated against the most severe service conditions
- Target 15 year life
- Meets OE performance specifications
- Prototypes available now.



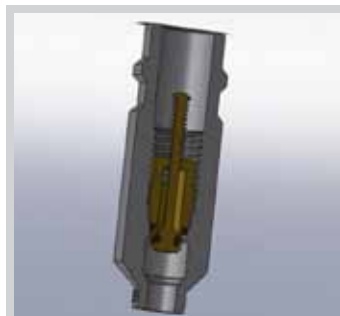
**G 123475 JRA HS  
Assembly**



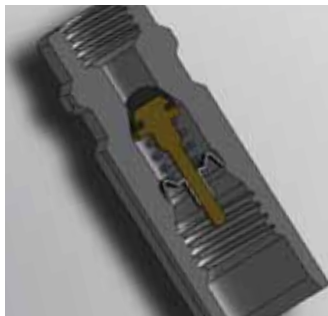
**123445 Standard  
Assembly**



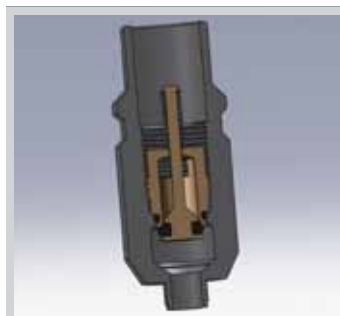
**G 123485 001 JRA LS  
Assembly**



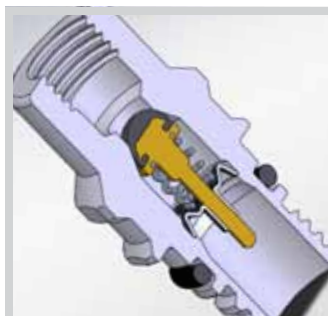
**123455 M8 LS  
Assembly**



**123425 LS Primary Seal  
Assembly**  
  
Neoprene  
EPDM  
HNBR



**123465 M10 HS  
Assembly**



**123415 HS Primary Seal  
Assembly**  
  
Neoprene  
EPDM  
HNBR